



tight and easy



The only secure press fastener with stretch-function



[WWW.Q-SNAP.COM](http://WWW.Q-SNAP.COM)



tight and easy

## NOTHING TOO TIGHT FOR Q-SNAP

Q-SNAP is the only secure fastener with stretch function. It is developed for covers and sprayhoods on boats and is perfect for all applications that require textiles to be tight and secure.

The patented Q-SNAP is just like a normal press-fastener, with 2 additional parts: a ring underneath the cloth and a gentle hook on deck. This combination turns the fastener into a secure connection that won't pop loose, while it incorporates a stretch-function (lever). The cloth is stretched as you fix.



### EASY

Now even children and people with less strength in their hands can fix any tight cover. All thanks to the integrated lever of Q-SNAP. It is just that bit of help to overcome the tension easily.

### TIME SAVING

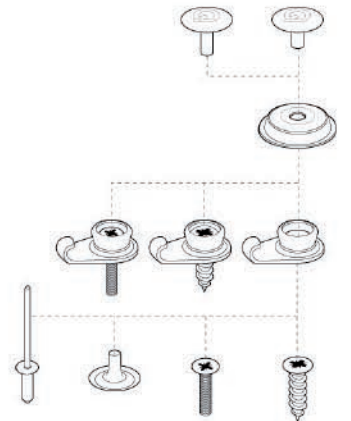
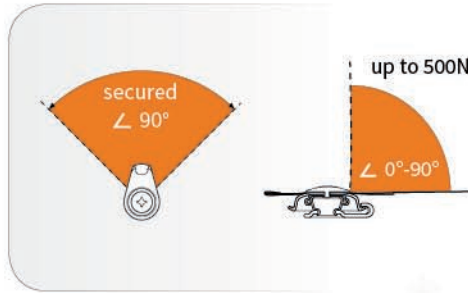
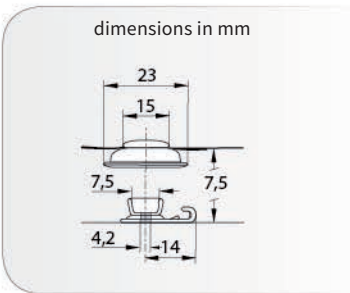
Installation is like a normal press fastener, using the same tools and dies as regular snaps. Time saving tools make it up to 4 times faster to install than other secured fasteners.

### CORROSION FREE

To even be resistant to seawater, Q-SNAP is made from high quality 316 stainless steel. The special ring spring in the socket is dimensionally stable and even more resistant to corrosion than SS 316.

## A CONNECTION TO RELY ON

Cover makers using Q-SNAP can make a solid and tight cover that protects precious property or beloved ones properly. It won't pop loose. Not even at 500N, no matter the angle between the fixed surface and the cover. Above all, it is the only secured fastener without moving parts, making it very durable and robust.



Starter KIT

DIY-kit



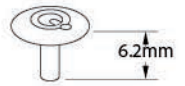
for more info, video and installation: [WWW.Q-SNAP.COM](http://WWW.Q-SNAP.COM)



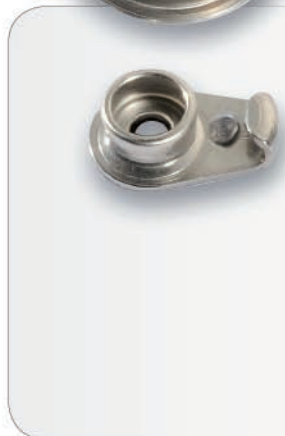
# PARTS



<b>Q-cap (A)</b>		<b>product</b>	<b>code</b>	<b>package</b>
<b>normal shaft (4mm)</b>	polished SS 316		110000-100 110000-500	100 x Q-caps 500 x Q-caps
<b>normal shaft colour</b>	SS 316 BLACK SS 316 MATT BLACK SS 316 PEARL WHITE SS 316 GREY SS 316 KHAKI SS 316 NAVY BLUE SS 316 BORDEAUX RED		110001-100 110002-100 110003-100 110004-100 110005-100 110006-100 110007-100	100 x Q-caps  special colours on request
<b>long shaft (6.2mm)</b>	polished SS 316		110100-100 110100-500	100 x Q-caps 500 x Q-caps



<b>Q-socket (B)</b>		<b>product</b>	<b>code</b>	<b>package</b>
<b>integrated socket and ring ø 23mm</b>	SS 316		120000-100 120000-500	100 x Q-sockets 500 x Q-sockets



<b>Q-stud (C)</b>		<b>product</b>	<b>code</b>	<b>package</b>
	Q-stud SS 316		130000-100 130000-500	100 x Q-stud 500 x Q-stud + studholder
<b>+ tapping screw</b>	Q-stud SS 316 + 4,2 x 16 C-Z A4		130100-100 130100-500	100 x Q-stud + screw 500 x Q-stud + screw + studholder
<b>+ M4 bolt</b>	Q-stud SS 316 + M4 x 16 DIN965-Z		130200-100 130200-500	100 x Q-stud + M4 500 x Q-stud + M4 + studholder
<b>+ self-drilling screw</b>	Q-stud SS 316 + 3,9 x 19 DIN75040-Z A2		130400-100 130400-500	100 x Q-stud + sd screw 500 x Q-stud + sd screw + studholder



<b>fixing (D)</b>		<b>product</b>	<b>code</b>	<b>package</b>
<b>tapping screw</b>	4,2 x 16 C-Z A4		140100-100 140100-500	100 x screw 500 x screw
<b>M4 bolt</b>	M4 x 16 DIN965-Z		140200-100 140200-500	100 x M4 500 x M4
<b>self-drilling screw</b>	3,9 x 16 DIN75040-Z A2		141400-100 141400-500	100 x sd screw 500 x sd screw
<b>blind rivet</b>	4,0 x 10 DIN 7337B A2		141300-100 141300-500	100 x blind rivet 500 x blind rivet
<b>eyelet (D)</b>	SS 316		140500-100 140500-500	100 x post 500 x post

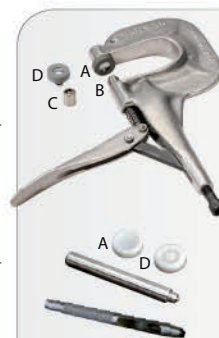


## TIME SAVERS



<b>product</b>	<b>code</b>	<b>package</b>
<b>Q-stud holder</b>	190200-1	1 pce
<b>Q-stud marker</b>	190300-1	1 pce
<b>Q-installation pins</b>	190400-10 190400-25	10 pcs 25 pcs

## TOOLS



<b>product</b>	<b>code</b>	<b>package</b>
<b>Pres'nSnap pliers incl 4 dies</b>	190500-1	complete set
<b>Pres'nSnap pliers w/o dies</b>	190501-1	1 plier
<b>4 dies (A &amp; B, C &amp; D)</b>	190502-1	4 dies
<b>2 dies (A &amp; B)</b>	190503-1	2 dies
<b>hand punch set (A &amp; B, C &amp; D)</b>	190600-1	1 set
<b>hand punch set (A &amp; B)</b>	190601-1	1 set
<b>hole punch 4 mm</b>	190700-1	1 set



For the latest news on development and availability,  
please visit: [WWW.Q-SNAP.COM](http://WWW.Q-SNAP.COM)

Q-SNAP (patented and registered trademark)  
is another solution from SUREFAS



tight and easy

by **SURE FAS**