



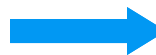
INFO	
<b>Average Water Consumption:</b>	1.5 liters per flush
<b>Color:</b>	White (black or bone optional)
<b>Seat:</b>	Thermosetting
<b>Hinge:</b>	Stainless steel with soft closing system
<b>Integrated bidet:</b>	<b>Water Jet</b> Optional (WaterJet only, Mixer NOT included)



Discharge pressure  
0.9 bar  
(9m)



Up to 80 m

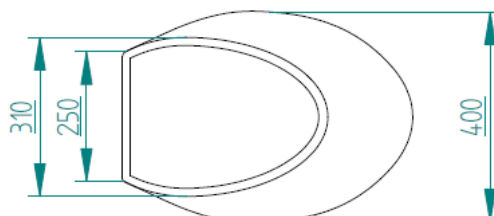
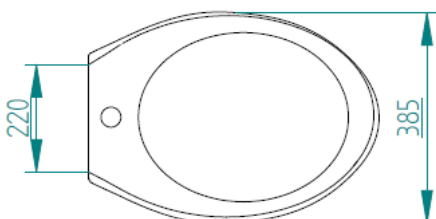
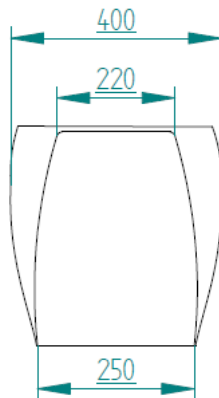
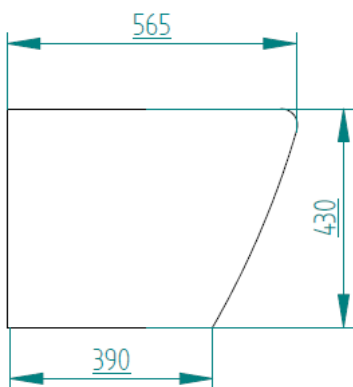
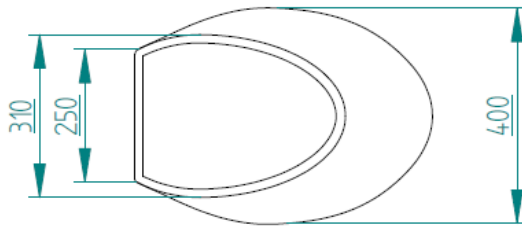
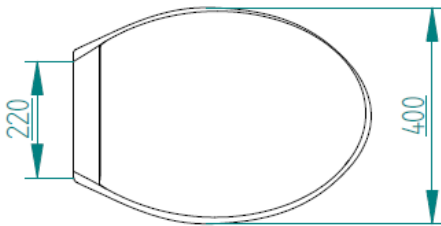
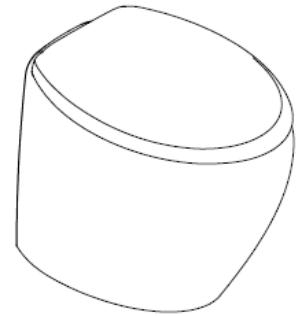
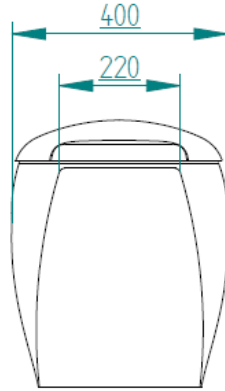
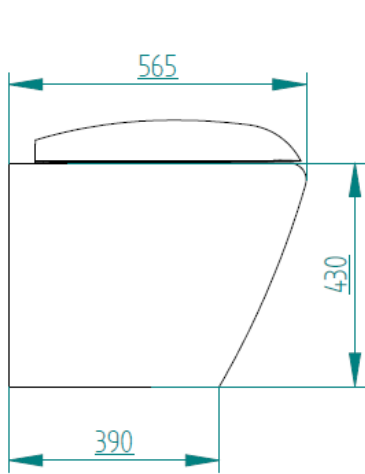


TECHNICAL SPECIFICATION OF THE MAIN COMPONENTS				
<b>Vortex Discharge Pump</b>				
Hydraulic performances: up to 9 m vertically, up to 80 m horizontally	Voltage	12 Vdc	24 Vdc	230 Vac
	Absorption	35 A	25 A	3 A
<b>Inlet Electrovalve</b>				
DIRECT ACTING Version (for both fresh water and sea)	Voltage	12 Vdc	24 Vdc	230 Vac
	Absorption	80 W	80 W	80 W
SERVO PILOTED Version (for fresh water inlet only)	Voltage	12 Vdc	24 Vdc	230 Vac
	Absorption	15 W	15 W	15 W
<b>Independent Inlet Pump</b>				
	Voltage	12 Vdc	24 Vdc	230 Vac
	Absorption	3.6 A	1.8 A	
<b>Centralized Inlet Pump (not supplied)</b>				
Recommended specifications	Working Pressure	Min 1 bar—Max 3 bar		

CONNECTIONS				
<b>Hydraulic Connections</b>				
	Inlet	Hose with ID of 20 mm (3/4")		
	Outlet	Hose with ID of 40 mm (1/2")		
<b>Electrical Connections</b>				
	Voltage	12 Vdc	24 Vdc	230 Vac
	Minimal wire gauge up to 5 m	6 mm <sup>2</sup> (9 AWG)	4 mm <sup>2</sup> (11 AWG)	0.75 mm <sup>2</sup> (18 AWG)
	Minimal wire gauge over 5 m	10 mm <sup>2</sup> (7 AWG)	6 mm <sup>2</sup> (9 AWG)	1 mm <sup>2</sup> (17 AWG)

**DIMENSIONS**

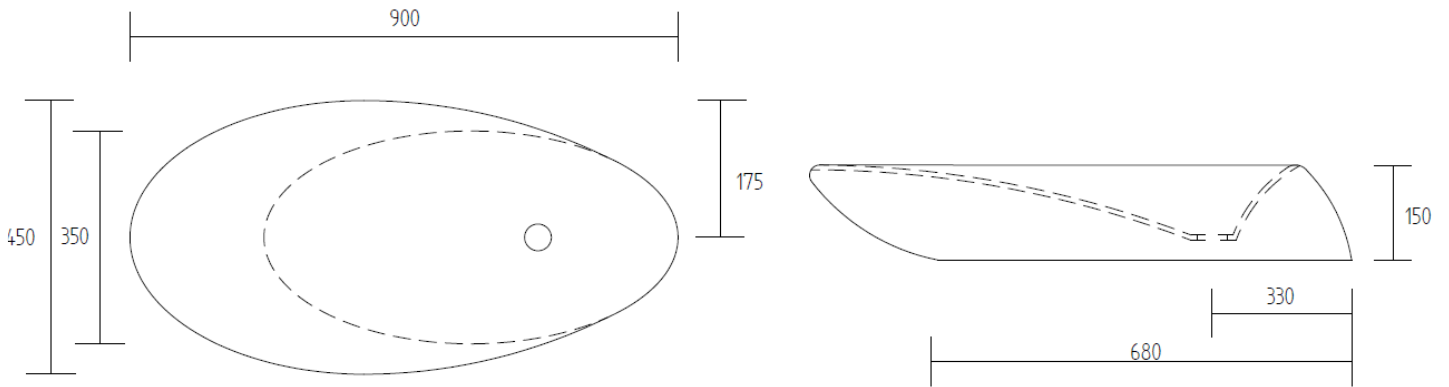
STANDARD VERSION (TOILET AND BIDET)



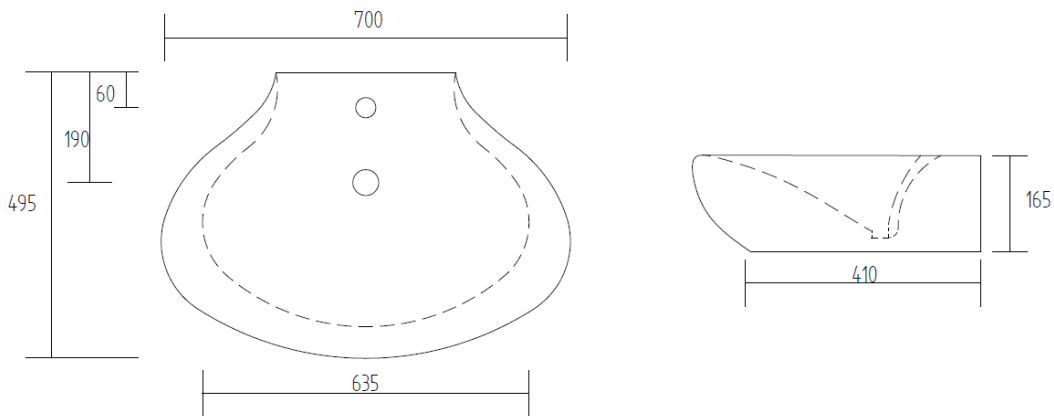
**DIMENSIONS**

COORDINATED SINKS

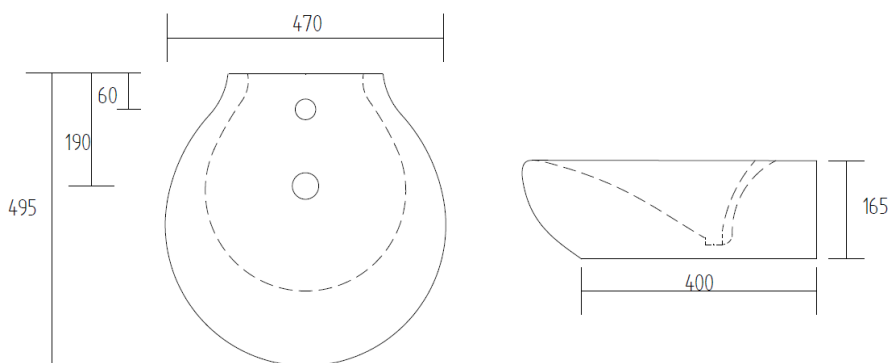
**LAVABO 90**



**LAVABO 70**



**LAVABO 47**



[www.planus.eu](http://www.planus.eu)

